

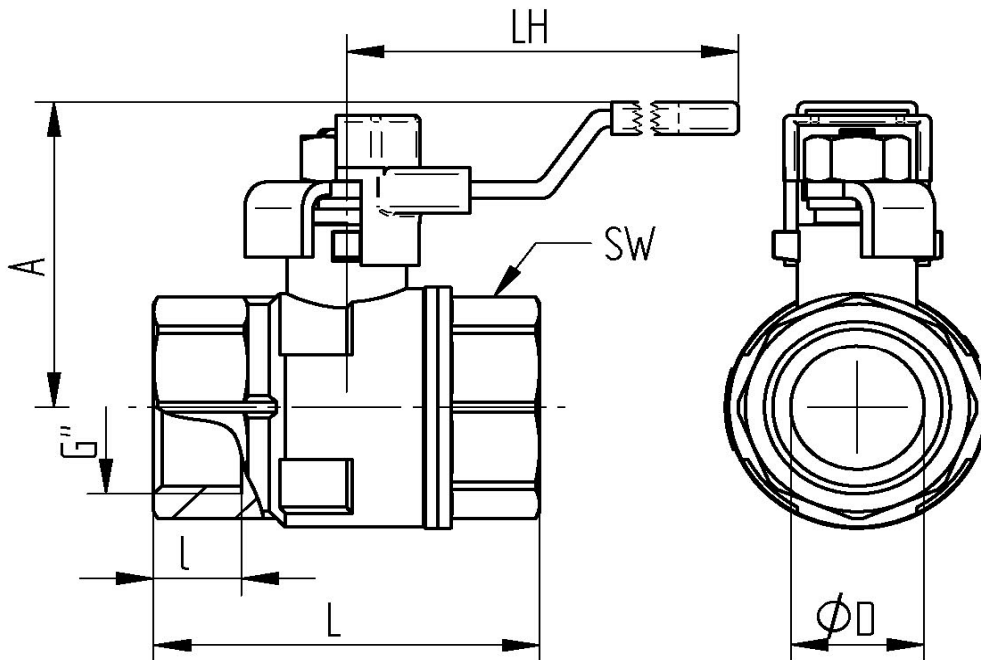
## Brass

### TECHNICAL DATA

temperature range:	- 20°C up to max. + 150°C, pressure-dependent
pressure range :	max. PN 40 bar, depending on nominal size and temperature
compressed air:	max. 10 bar
connecting thread:	according to DIN EN ISO 228-1
body material:	Brass CW617N nickel plated
threaded ends:	Brass CW617N nickel plated
ball:	Brass CW614N hard chromed
ball seals:	PTFE
stem:	Brass CW614N nickel plated
stem seals:	PTFE , O-Ring FKM with packing gland
handle:	stainless steel, blue plastic coated, lockable



### Connecting thread female/female



Art.Nr.	G''	øD	L mm	l mm	A mm	LH mm	SW mm	PN(bar)	weight (g)
605-02	1/4"	10	42,5	10	42	94	20	40	170
605-03	3/8"	10	42,5	10	42	94	20	40	158
605-04	1/2"	13	50	12	45	94	26	40	230
605-05	3/4"	19	55	12	49	94	32	40	303
605-06	1"	24	68	15	58	115	40	32	525
605-07	1 1/4	32	76	14	72	126	48	25	788
605-08	1 1/2	38	84	15	77	126	54	20	1023
605-09	2"	49,5	106	19	97	173	68	20	1794
605-10	2 1/2"	59	130	24	119	226	80	16	2801
605-11	3"	69	146	25	130	226	98	16	4074
605-12	4"	89,5	211	43	150	226	124	16	7890