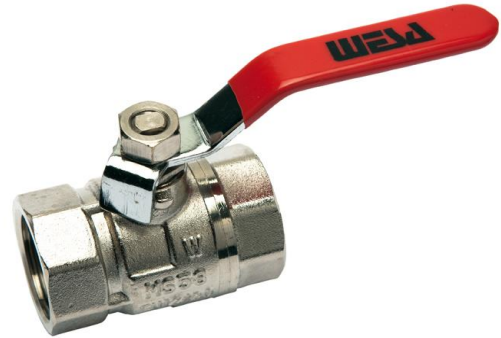


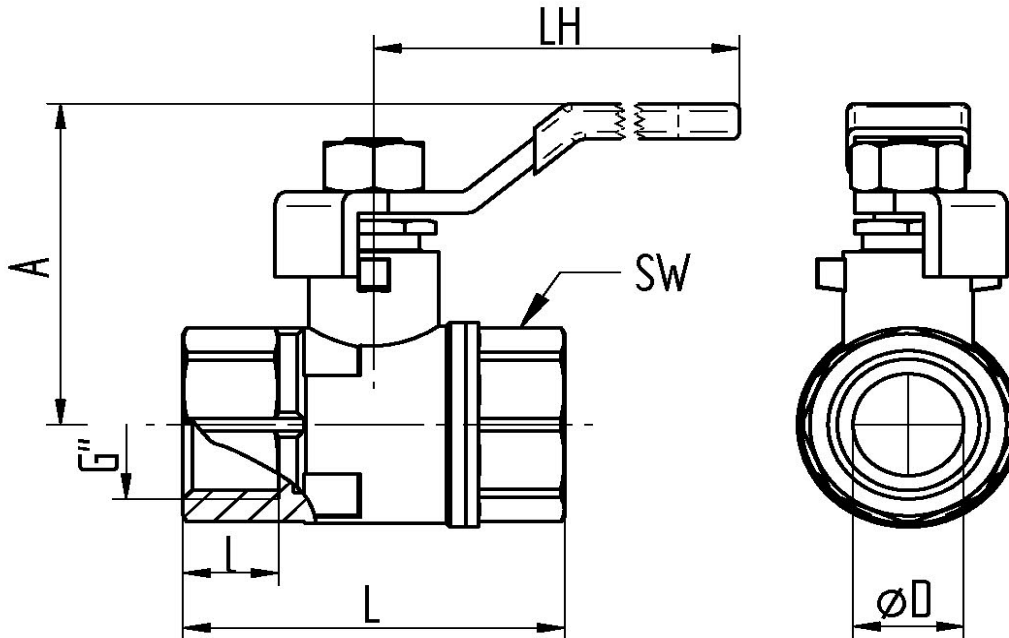
Brass

TECHNICAL DATA

temperature range:	- 20°C up to max. + 150°C, pressure-dependent
pressure range :	max. PN 40 bar, depending on nominal size and temperature
compressed air:	max. 10 bar
connecting thread:	according to DIN EN ISO 228-1
body material:	Brass CW617N nickel plated
threaded ends:	Brass CW617N nickel plated
ball:	Brass CW614N chromium plated
ball seals:	PTFE
stem:	Brass CW614N nickel plated
stem seals:	PTFE , O-Ring FKM with packing gland
handle:	stainless steel, red plastic coated



Connecting thread female/female



Art.Nr.	G"	øD	L mm	l mm	A mm	LH mm	SW mm	PN bar	weight (gr)
604-02	1/4"	10	42,5	10	42	91	20	40	141
604-03	3/8"	10	42,5	10	42	91	20	40	128
604-04	1/2"	13	50	12	45	91	26	40	200
604-05	3/4"	19	55	12	49	91	32	40	273
604-06	1"	24	68	15	58	100	40	32	485
604-07	1 1/4"	32	76	14	72	130	48	25	698
604-08	1 1/2"	38	84	15	77	130	54	20	933
604-09	2"	49,5	106	19	97	154	68	20	1644
604-10	2 1/2"	59	130	24	119	223	80	16	2461
604-11	3"	69	146	25	130	223	98	16	3734
604-12	4"	89,5	193	40	150	304	124	16	7400