

Stainless steel

TECHNICAL DATA BALL VALVE:

Construction:	2-way full bore ball valve
Design:	2-part design
Connection end:	Threaded ends acc.to DIN EN ISO 228-1
Body:	Stainless steel 1.4408
Screw-in sleeve:	Stainless steel 1.4408
Ball:	Stainless steel 1.4401 with flushing hole
Stem:	Stainless steel 1.4401 Blow-out proof
Ball seal:	PTFE TFM1600
Stem seal:	PTFE FKM O-ring
Actuator connection:	Acc.to DIN EN ISO 5211 [direct assembly]
Medium temperature:	0°C up to +65°C pressure dependent [90°C for max. 30 Minutes]
Medium nominal pressure:	Max. 10 bar temperature-dependent

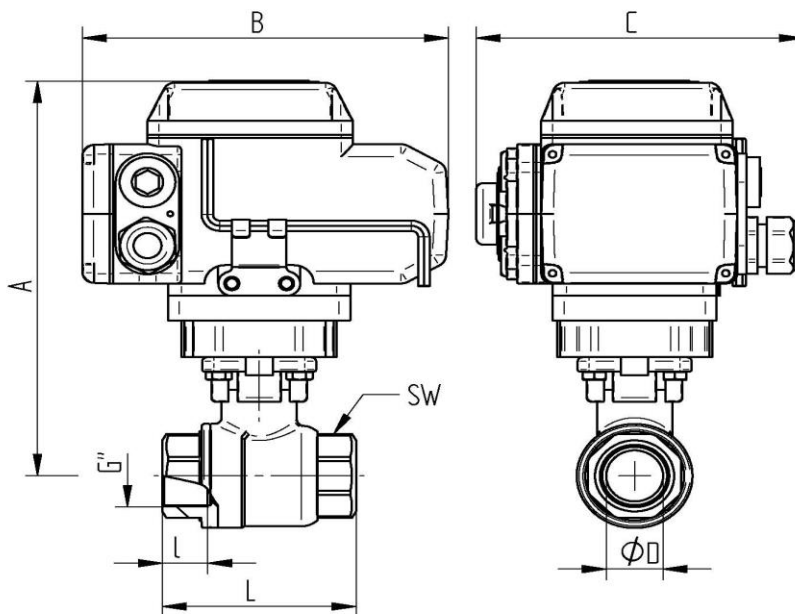
TECHNICAL DATA ACTUATOR

Functionality :	*OPEN* * CLOSE
Control voltage :	230V AC 50/60 Hz. 24V DC
Operating temperature :	- 25°C up to max. + 55°C
Angle of rotation :	set 90 ° for ball valves max. 360 °
Protection class :	IP 67
Electrical connection :	1 M20 Screw: Voltage supply 1 M20 Screw: Position feedback signal
Limit switch :	2 pieces for 90° rotation 2 pieces for feedback *Open* *Close*
Position indicator:	optical
Actuator connection:	Acc.to DIN EN ISO 5211 [direct assembly]
Housing cover:	Aluminium alloy coated

Approval: DIN DVGW DRINKING WATER
DIN EN 13828 | DVGW W570-1 PN10 up to DN100



Connecting thread female/female



Item No. 230V 50 Hz.	Item No. 24V DC	G"	DN	øD mm	A mm	B mm	C mm	L mm	I mm	SW mm	Sec.	Nm
AE069651-07	AE079651-07	1 1/4"	32	32	196	160	140	94	20	50	25	50
AE069651-08	AE079651-08	1 1/2"	40	38	198	160	140	105	22	56	25	50
AE069651-09	AE079651-09	2"	50	50	205	160	140	125	22	70	25	50
AE099651-10	AE109651-10	2 1/2"	65	63,5	261	197	145	155	31	83	30	100
AE119651-11	AE129651-11	3"	80	76	326	255	182	173	31	102	30	200

10/2023