

### Stainless steel

#### TECHNICAL DATA BALL VALVE

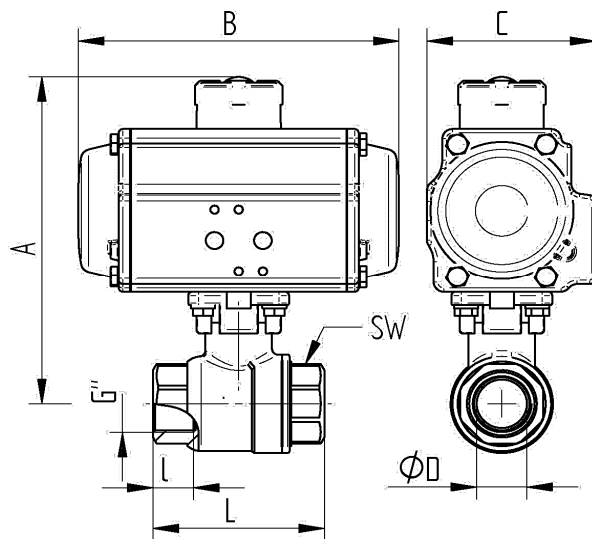
Construction:	2-way full bore ball valve
Design:	2-piece design
Connection end:	Threaded ends acc.to DIN EN ISO 228-1
Actuator connection:	According to DIN EN ISO 5211 [direct assembly]
Body:	Stainless steel 1.4408
Screw-in ring:	Stainless steel 1.4408
Ball:	Stainless steel 1.4401 with flushing hole
Stem:	Stainless steel 1.4401 blow-out proof
Ball seal:	PTFE TFM1600
Stem seal:	PTFE   EPDM O-ring
Medium temperature:	0°C up to +65°C pressure dependent [90°C for max. 30 Minutes]
Medium nominal pressure:	Max. 10 bar temperature-dependent
<b>Approval :</b>	DIN DVGW TRINKWASSER DIN EN 13828   DVGW W570-1 PN10 up to DN100 SIL nach IEC61508 61518

#### TECHNICAL DATA ACTUATOR

Design Feature:	Rack and pinion principle
Piston guide:	Self centering in housing
Housing:	Aluminum alloy anodized
Cover end caps:	Aluminum alloy, RAL 5002 blue painted
Seals:	NBR
Pinion:	Steel chemically hard nickel plated
Piston   Rack:	Aluminum alloy
Pivot angle:	90° adjustable FRom +5° to -5°
Operating temperature:	-20°C to +80°C
Torque max:	Torque table   Pilot pressure table
Control medium:	Filtered & lubricated air according to Pneurop/ISO KI. 5
Control pressure:	Rated to 6 bar
Actuator   Valve:	according to DIN ISO 5211
Actuator Control valve:	according to Namur resp. VDI/VDE 3845
Actuator Signal devices:	according to Namur resp. VDI/VDE 3845
Position indicator :	optical, mounted in scope of delivery



#### Connecting thread female/female



Art. Nr.	G"	DN	øD mm	L mm	l mm	SW mm	A mm	B mm	C mm	DW Nm
DW029651-02	1/4"	10	10,6	67	12	27	142	142	72	20
DW029651-03	3/8"	12	12,7	67	11	27	142	142	72	20
DW029651-04	1/2"	15	15	67	15	27	142	142	72	20
DW029651-05	3/4"	20	20	70,4	17	32	149	142	72	20
DW029651-06	1"	25	25	85	19	41	158	142	72	20
DW029651-07	1 1/4"	32	32	94	20	50	163	142	72	20
DW039651-08	1 1/2"	40	38	105	22	56	184	162	84	36
DW039651-09	2"	50	50	125	22	70	191	162	84	36
DW049651-10	2 1/2"	65	63,5	155	31	83	233	208	96	70
DW059651-11	3"	80	76	173	31	102	253	246	108	110