

Stainless steel

TECHNICAL DATA

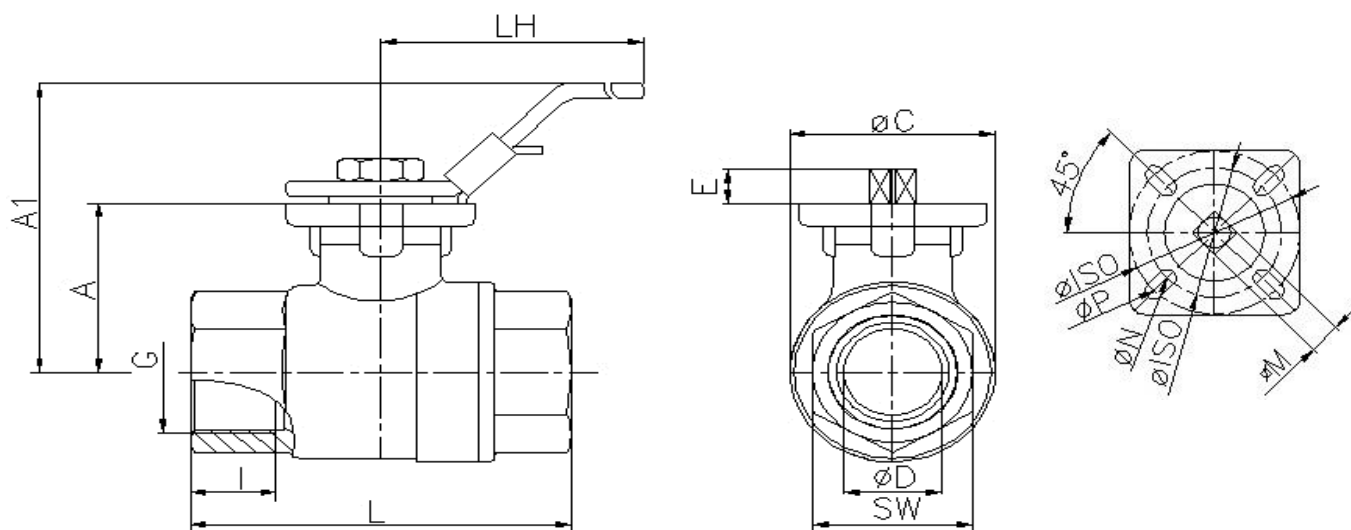
Construction:	2-way full bore ball valve
Design:	2-part design
Connection end:	Long-female thread acc. to DIN EN ISO 228-1
Actuator connection:	Acc.to DIN EN ISO 5211 [direct assembly]
Body:	Stainless steel 1.4408
Screw-in socket:	Stainless steel 1.4408
Ball:	Stainless steel 1.4401 with flushing hole
Stem:	Stainless steel 1.4401 Blow-out proof
Ball seal:	PTFE TFM1600
Stem seal:	PTFE TFM1600 EPDM O-Ring
Medium nominal pressure:	Temperature-dependent Max. 10 bar for drinking water
Medium temperature:	Pressure dependent 0°C up to +65°C for drinking water [90°C for max. 30 Minutes]
Actuation:	Handlever with locking device Stainless steel 1.4301, PVC-sleeve green
Automation:	Electric pneumatic actuator



Approval:

- DIN DVGW DRINKING WATER
DIN EN 13828 | DVGW W570-1
- ATEX acc.to 2014/34/EU
- SIL acc.to IEC61508 | 61518
- EAC acc.to TR CU 010/2011

Connecting thread female/female



Art. Nr.	DN	G"	øD mm	A mm	A1 mm	LH mm	I mm	L mm	øC mm	E mm	M mm	øISO	øP / øN	SW mm	PN bar	Weight (Kg)
9651-02	8	1/4"	10,6	42	69	150	12	67	39	9	9	F03/04	6/6	27	10	0,56
9651-03	10	3/8"	12,7	42	69	150	11	67	39	9	9	F03/04	6/6	27	10	0,51
9651-04	15	1/2"	15	42	69	150	15	67	39	9	9	F03/04	6/6	27	10	0,50
9651-05	20	3/4"	20	49	76	150	17	70,4	43	9	9	F03/05	7/6	32	10	0,60
9651-06	25	1"	25	58	89	175	19	85	51	11	11	F04/05	7/6	41	10	1,04
9651-07	32	1 1/4"	32	63	93	175	20	94	62,5	11	11	F04/07	9/6	50	10	1,40
9651-08	R 40	1 1/2"	38	71	105	200	22	105	74	14	14	F05/07	9/7	56	10	2,14
9651-09	50	2"	50	78	111	200	22	125	92,5	14	14	F05/07	9/7	70	10	3,18
9651-10	R 65	2 1/2"	63,5	101,5	146	270	31	155	116	17	17	F07/10	11/9	83	10	6,04
9651-11	R 80	3"	76	109	154	270	31	173	138	17	17	F07/10	11/9	102	10	9,17