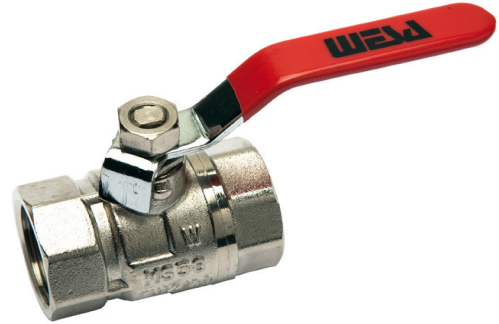


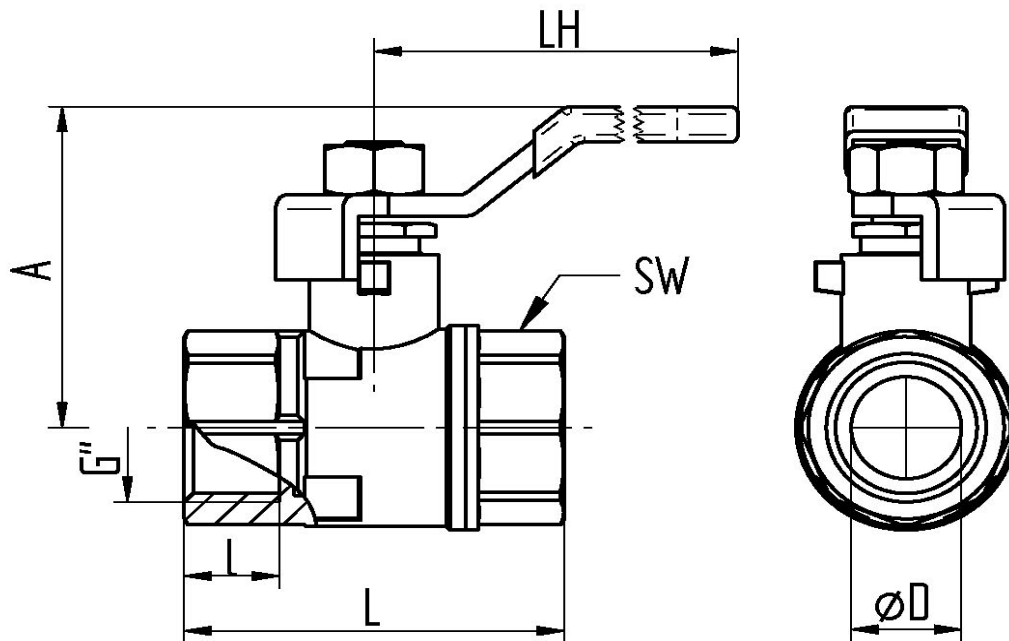
Brass

TECHNICAL DATA

temperature range:	- 20°C up to max. + 150°C, pressure-dependent
pressure range :	max. PN 40 bar, depending on nominal size and temperature
compressed air:	max. 10 bar
connecting thread:	according to DIN EN ISO 228-1
body material:	Brass CW617N nickel plated
threaded ends:	Brass CW617N nickel plated
ball:	Brass CW614N chromium plated
ball seals:	PTFE
stem:	Brass CW614N nickel plated
stem seals:	PTFE , O-Ring FKM with packing gland
handle:	steel, red plastic coated



Connecting thread female/female



Art.Nr.	G"	DN	øD	L mm	l mm	A mm	LH mm	SW mm	PN bar	weight (gr)	Kv [m³/h]
600-02	1/4"	8	10	42,5	10	42	91	20	40	141	3,33
600-03	3/8"	10	10	42,5	10	42	91	20	40	128	4,92
600-04	1/2"	15	13	50	12	45	91	26	40	200	8,14
600-05	3/4"	20	19	55	12	49	91	32	40	273	23,46
600-06	1"	25	24	68	15	58	100	40	32	485	38,67
600-07	1 1/4"	32	32	76	14	72	130	48	25	698	52,00
600-08	1 1/2"	40	38	84	15	77	130	54	20	933	86,60
600-09	2"	50	49,5	106	19	97	154	68	20	1644	160,25
600-10	2 1/2"	65	59	130	24	119	223	80	16	2461	150,00
600-11	3"	80	69	146	25	130	223	98	16	3734	208,00
600-12	4"	100	89,5	193	40	150	304	124	16	7400	308,00